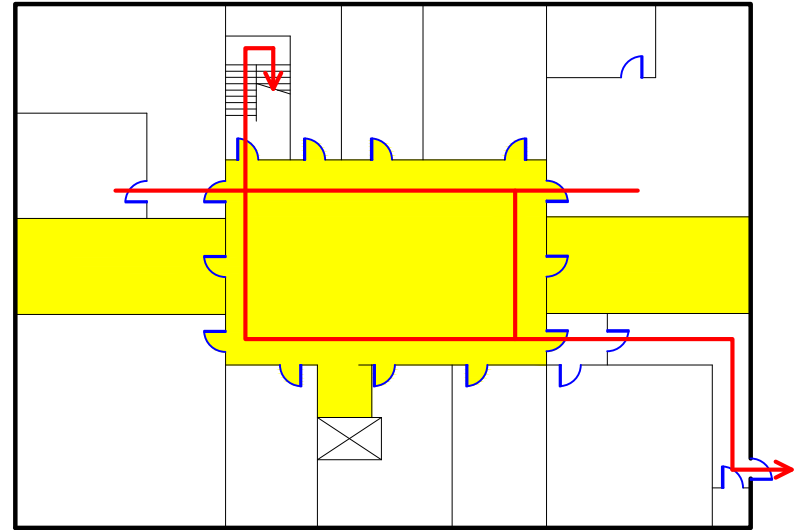
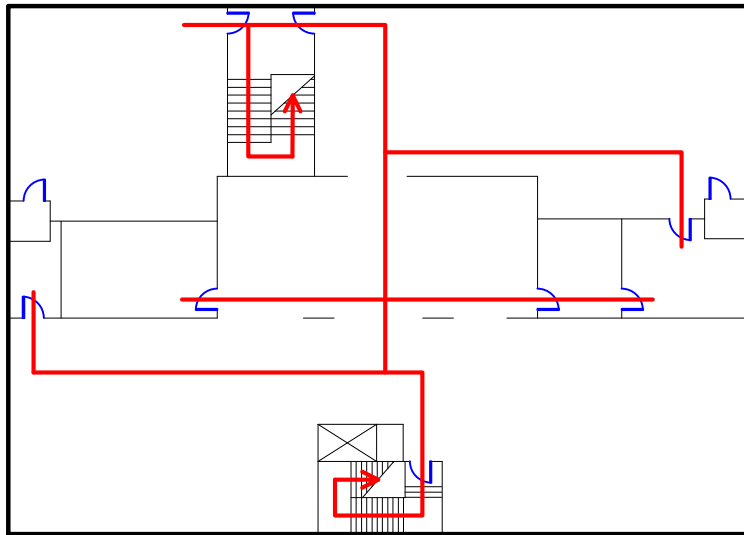




First Floor



Basement Floor



Second Floor

 Storm Shelter  
 Evacuation Route



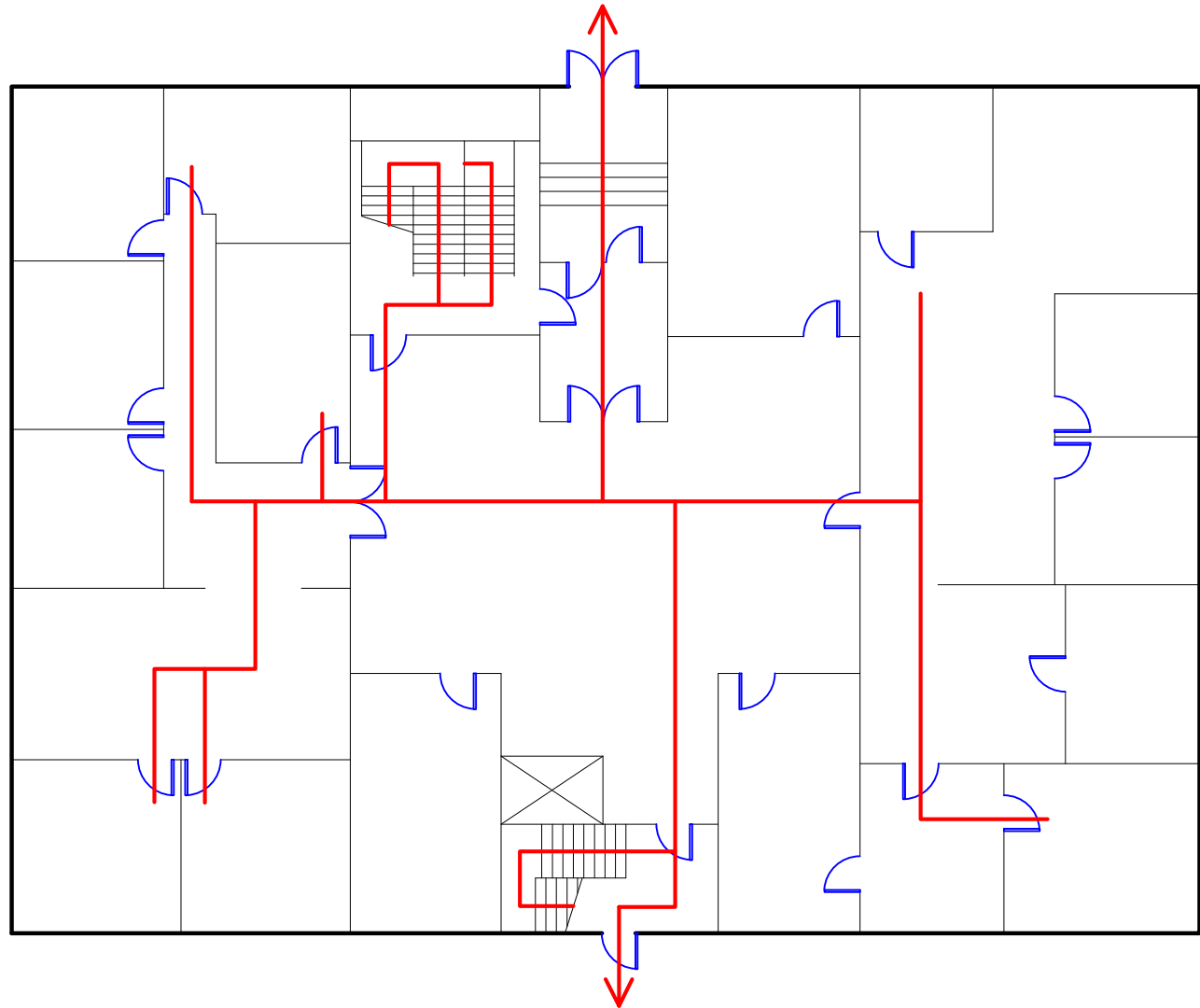
First Floor



Storm Shelter on  
Lower Level



Evacuation Route



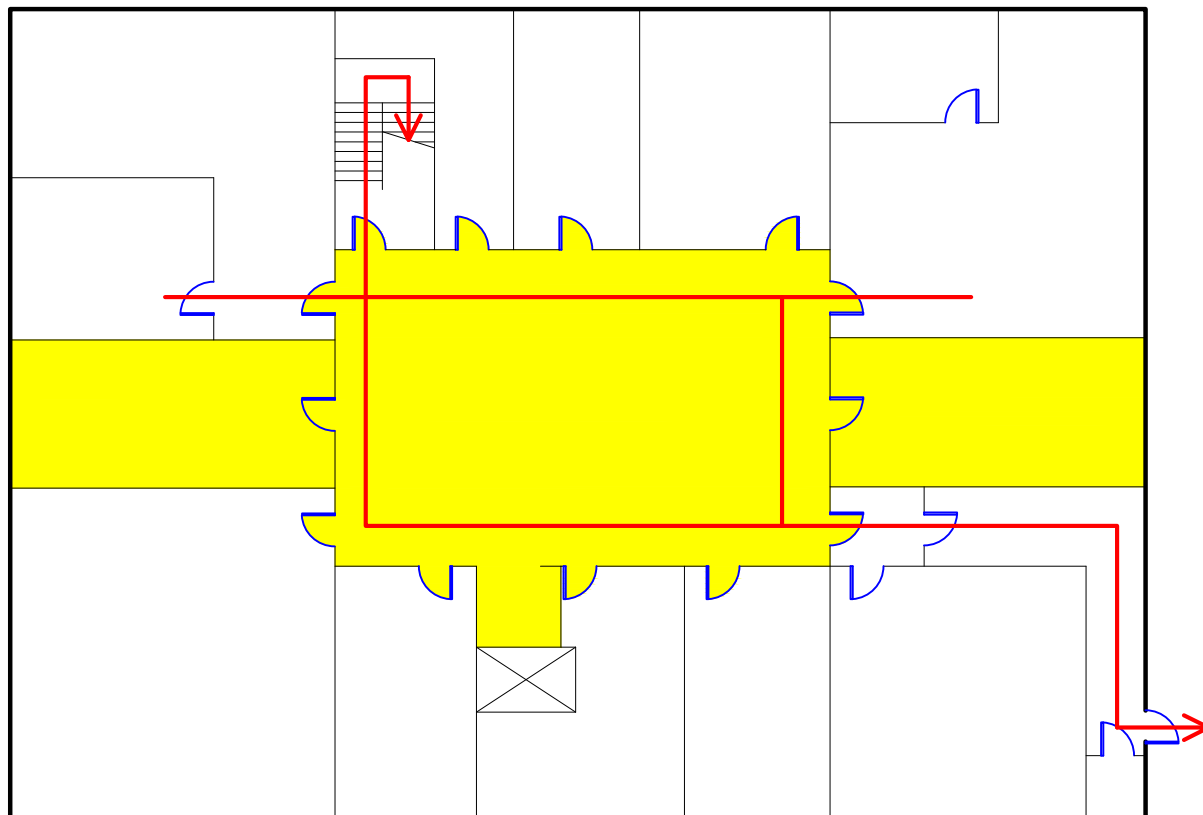
Basement Floor



Storm Shelter



Evacuation Route



Second Floor



Storm Shelter on  
Lower Level



Evacuation Route

